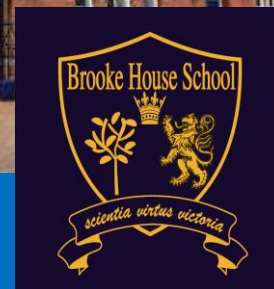


Brooke House School Bulletin

3rd February 2023



Van Gogh : The Immersive Experience

On Monday we visited All Saints Church in Leicester to be inspired by the work of Vincent Van Gogh. The students were able to learn about Van Gogh's life, relationships and painting techniques. They also enjoyed light projections, sound and virtual reality which immersed them fully in his artwork. It was a wonderful display!

This has been followed up this week with the students studying letters written by Van Gogh to his brother Theo. They then created postcards decorated and written from the perspective of Van Gogh.

See some examples:-



"At the exhibition I saw Van Gogh's most famous paintings and even a recreation of his bedroom painting. There was a projector room with his paintings in and a bit about his life. There was a virtual reality experience which was about where he got his ideas. My favourite thing was the projector part because of the effects."

"I found it interesting that Van Gogh was colour blind."

"We went in to a room with projections that explained Van Gogh's life and showed his paintings as well as famous quotes by Van Gogh. I noticed that a lot of Van Gogh's pieces are landscapes such as 'Starry night' and 'The bedroom'."

See last page for more pictures from the trip.

Dates for your diary

6th-8th February

GCSE field trip.

9th February

Whole school D&T Art Enrichment inter-house competition

Monday 24th-Friday 28th April 2023

Trip to YHA Helmsley – York

Monday 19th-Friday 23rd June

Bruges trip

Star Factor

The student with the star factor this week is
Daisy Lines
for super work in her English and story writing.
Well done, Daisy!



News & Information

Half term holiday

We have arranged for some activity days for half-term . Please fill in the attached form if you wish your child to attend. We will also be organising some dates for the Easter holidays. This form will follow soon.

Jewellery

We have noticed that a few students have started to wear lots of jewellery in school. Please can we remind parents and students that only jewellery of a religious nature is allowed in school.

Trips instalment plans - for York & Brugge

Instalment payments of £100 for the trips are now overdue for January for both trips. We ask that the February instalment is paid by the 27th February.

Life Skills

This week in Life skills the students practised their bandaging skills. Firstly, they were shown the correct way to bandage then they practised. They got rather carried away! But obviously had great fun learning.



PE

Stars of the Week :

Tuesday Daisy Lines

Thursday Group 1 Edward Dixon

Thursday Group 2 Luke Jackson



Latin word of the week

This week's Latin root word is: 'Gen'

'to birth'

Some examples of modern English words that contain this root are

Gene, Generate

What other modern words can you find which contain this root word?

News & Information

Mathematics

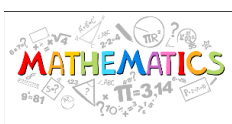


Times Tables Champion

The award this week goes to Nivas Odedra for improvement in his times tables tests.

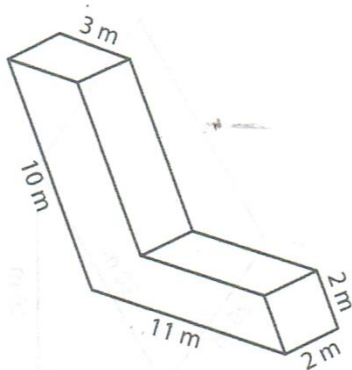


The Mathematics Star for this week goes to Billy Duddy for trying hard in all his lessons this week.



Mathematics Work of the Week by Neiron Odedra

This week's question: Find the surface area of the shape below:



This question was answered by one of our year 8 students.

Their solution to follow next week.

Last week's question: Find the value of the first four terms, the 10th, 20th and 100th term of the sequence with n th term = $4n + 1$

Find the n th term for the following sequences:

3, 5, 7, 9, ...

3, 7, 11, 15, ...

Solutions:

(2) A) $4n+1$
i) 5 ✓
ii) 9 ✓
iii) 13 ✓
iv) 17 ✓
v) $41 = 4 \times 10 + 1$ ✓
vi) $4 \times 20 + 1 = 81$ ✓
vii) $4 \times 100 + 1 = 401$ ✓

(4) A) 3, 5, 7, 9...
2, 4, 6, 8
 $(n) = 2n + 1$ ✓
B) 3, 7, 11, 15...
4, 8, 12, 16
 $(n) = 4n - 1$ ✓

Kickboard
Star



The student with the most Kickboard points this week is;

Zaynah Taylor

Well Done!

Menu for next week



Monday

Chicken Curry

Vegetable Curry (V)

Served with Green Beans and Naan
Bread

Chocolate Shortbread Finger



Tuesday

Pasta Carbonara

Tomato Pasta (V)

Served with Peas and Sweetcorn

Fresh Fruit Platter



Wednesday

Fish Cake

Vegetable Fingers (V)

Served with Diced Potatoes, Carrots
and Baked Beans

Iced Sponge Cake



Thursday

Cottage Pie

Meat Free Cottage Pie (V)

Served with Cabbage and

Cauliflower

Fruit Danish



Friday

Chicken in a Wrap

Meat Free Chicken Burger (V)

Served with Herby Potatoes,

Cucumber and Carrot Sticks

Chocolate Cake and Ice-Cream

Jacket Potatoes

If you need to order a jacket potato for your child on any of the days please can you email the bulletin with the day(s) and the choice of filling. Please can all orders be in by **2200 on Sunday evening**.

The filling choices are cheese, baked beans and spaghetti hoops.

More pictures from the Van Gogh: Immersive Experience



Some music to go with the pictures <https://youtu.be/dipFMJckZOM>

