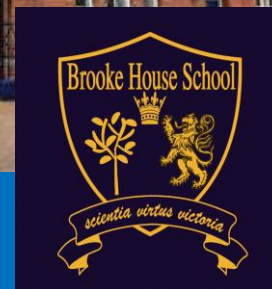


Brooke House School Bulletin

10th February 2023



GCSE Geography Field Trip

On Monday the GCSE Geography Field trip students set off on a three-day residential trip to Keswick in the Lake District.

They arrived after an uneventful journey, dropped off their bags and were set to work straight away on a tourism investigation in the picturesque village of Grasmere. The students had to do a survey of Grasmere to investigate the environmental impact of tourism in the Lake District. They looked at the number of people, parking and of course litter. Mr Bailey said "As it was February there wasn't the same impact that there would be in the summer months." However, he did say he was still shocked as to how much litter there was – particularly in the car park which they studied.

On Tuesday, they went on a thrilling hike, donning waterproofs and wellies and heading up into the clouds. They climbed Blencathra mountain had lunch by a spectacular waterfall and investigated downstream change on a Lake District River. They had to measure the width, depth and speed of the river – preferably without falling in! All this information is needed for them to complete Paper 3 in their GCSE exams. All good exercise as well – everyone slept well that night – including the teachers!

On Wednesday before they returned to school the students had fun activities to participate in. The group were complimented on the outstanding behaviour of the students by the other teachers who were with their own school groups as well as being complimented by the centre staff of Blencathra. As usual our students were well mannered, polite – waiting their turn at the sandwich making area – our teachers were actually asked by another teacher "How do you do it? – How do you get them to be so well behaved?" What can we say – it is the Brooke House ethos.....

Well done, everyone who attended!



Dates for your diary

Monday 24th-Friday 28th April 2023

Trip to YHA Helmsley – York

Friday 5th May 2023

Talk by the Fire & Rescue Service – this is for Primary

Monday 19th-Friday 23rd June

Bruges trip

Star Factor

The student with the star factor this week is
Demi Tailor
for working hard and for achieving a pass in her
Biology test.
Well done, Demi!



News & Information

PE

Stars of the week

Tuesday – William Carter

Thursday group 1 – Cian Capper

Thursday group 2 – Zara Bowers



Food Technology

It has been a busy week in Food Technology. The Buzzards perfected their chopping skills to make a tomato ragu sauce. They also learnt how to skin their own tomatoes. Star Bakers were Asia Thompson and Taryn Swift.



The Sparrow Hawks and Eagles made some delicious pizzas. First, they made their dough and added their favourite toppings – some choices were quite interesting! Star Baker was Kyle Hannam.



Yr7-9 also made some delicious chicken or vegetable curry, with a cooling cucumber and mint raita. Star Baker was Edward Dixon.



Parents looked very impressed at going-home time – some comments were ‘Oh good, that is tea sorted!’

This week's Latin root word is: 'Dono - are'

'to give'

Some examples of modern English words that contain this root are

Donation, donate, condone

What other modern words can you find which contain this root word?

Latin word of the week

News & Information

Mathematics

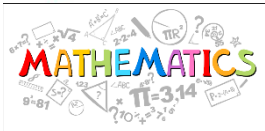


Times Tables Champion

The award this week goes to Sukhmani Suwali for full marks in her times tables test in a reasonable time – well done.



The Mathematics Star for this week goes to Neiron Odedra for an excellent mark in his recent test.



Mathematics Work of the Week by Taryn Swift for understanding how to use factors in multiplication and division.

Question:

Using factors find the answers to:

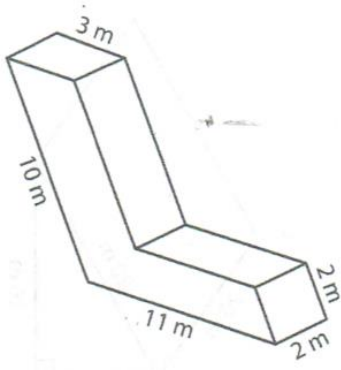
35×8 and $114 \div 6$

These questions were answered by one of our year 6 students.

Their solutions to follow next week.

Last week's question:

Find the surface area of this shape:



$A_1 = 10 \times 3 = 30 \Rightarrow 60$	
$A_2 = 8 \times 2 = 16 \Rightarrow 32$	
$A_3 = 2 \times 2 = 4$	4
$A_4 = 8 \times 2 =$	16
$A_5 = 8 \times 2 =$	16
$A_6 = 3 \times 2 =$	6
$A_7 = 11 \times 2 =$	22
$A_8 = 10 \times 2 =$	20
$SA = 176 m^2$	

Internet Safety

In assembly the students at Brooke Lodge had a talk on online Internet Safety. They were reminded of the importance of keeping their personal details private. They were also reminded of actions which they could take if they were concerned about anything on-line:

- Step away from it.
- Tell an adult you trust like a parent or a teacher.
- Don't delete or respond to it.
- Report it on the app or on the website.

They were also reminded about cyber bullying, online grooming, radicalisation and being careful to not view anything inappropriate.

Kickboard
Star



The student with the most Kickboard points this week is;

Emmie Parker

Well Done!



Menu for next week



Monday

Tuna and Sweetcorn Pasta Bake
Served with Garlic Bread
Tomato Pasta (V)
Fresh Fruit Platter



Tuesday

Savoury Mince Cobbler
Served with Diced Potatoes, Carrots
and Cauliflower
Meat Free Cobbler (V)
Jam Sponge served with Custard



Wednesday

Cowboy Pie
Served with Peas and Sweetcorn
Meat Free Sausages (V)
Blueberry Muffins



Thursday

Sweet and Sour Chicken
Served with Rice and Broccoli
Sweet and Sour Vegetables (V)
Homemade Cheesecake



Friday

Homemade Pizza (V)
Served with Herby Potatoes and Salad
Chocolate Brownie and Ice-Cream

Piano Star of the week is

Leo Humphries for making such good progress and practising a lot which is making a big difference.

Jacket Potatoes

If you need to order a jacket potato for your child on any of the days please can you email the bulletin with the day(s) and the choice of filling. Please can all orders be in by **2200 on Sunday evening**.

The filling choices are cheese, baked beans and spaghetti hoops.

AMAZING AUTHORS 400 WORDS COMPETITION – 8.3.23

In Key Stage 3 English this term we are writing stories to enter Blue Peter/CBeebies Amazing Authors 400 words competition. The deadline is Wednesday 8th March 2023. The stories will be judged in each of the following age categories:

- Category 1: Entrants aged 5-8
- Category 2: Entrants aged 9-11
- Category 3: Entrants aged 12-15.

Your child will type up his/her story at school and bring it home on a form for you (as parent or guardian) to sign. You need to complete the front of this form (see attached). There is an option for you to enter by email: The uploader can be accessed from the Blue Peter website (www.bbc.co.uk/cbbc/bluepeter). You will need a BBC account <https://www.bbc.com/signin> to enter, which means you have a username and password you can use to sign in to the CBBC website. Please note that if your child has typed up their story on a school laptop you will need to provide a memory stick for them to bring the story home to you electronically.

The winning story will be made into an audio book voiced by Tom Fletcher and be animated to be shown on Blue Peter and CBeebies Bedtime Stories. The winner will go behind the scenes to experience the book publication and animation process, receive a printed copy of their story, a framed still from the animation and an orange competition winner's badge. Furthermore, at Brooke House we will also be providing prizes for each age category. The story has to be suitable for a CBeebies audience, which has proved tricky for some of our teenagers. It must also not use brand names.

Good luck everyone and happy writing!

GCSE Geography Field Trip – More pictures!

